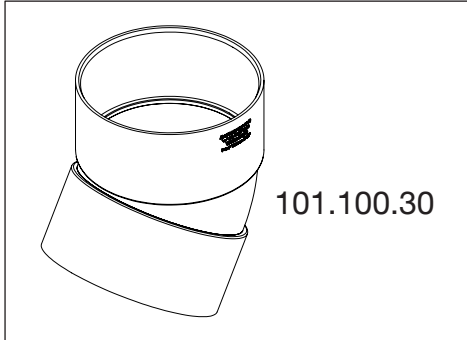


ALLPROOF

I N D U S T R I E S

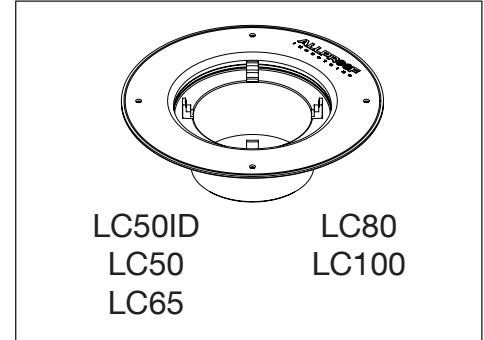
PLASTIC FITTINGS

F&F BEND

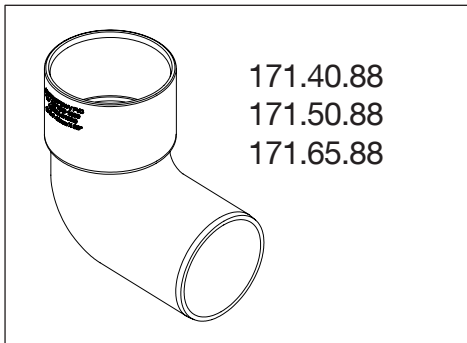


WaterMark

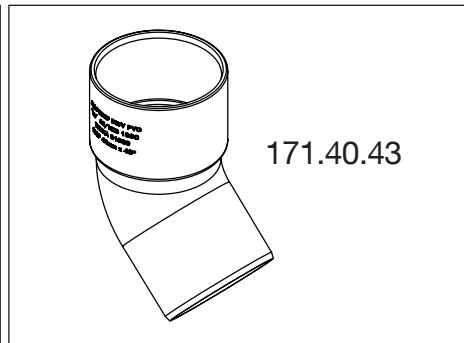
FLANGES



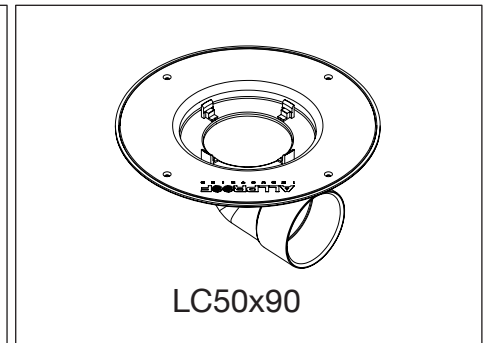
M&F BEND 88°



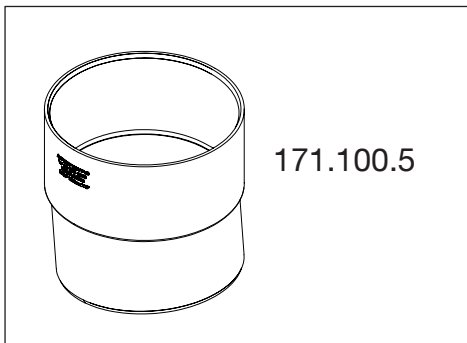
M&F BEND 43°



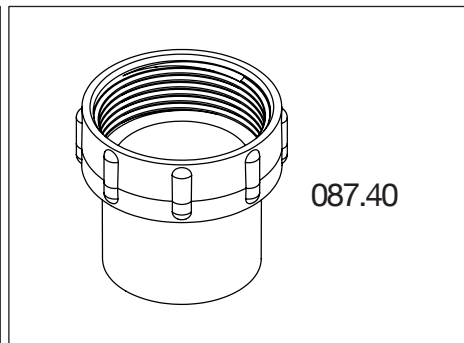
90° FLANGES



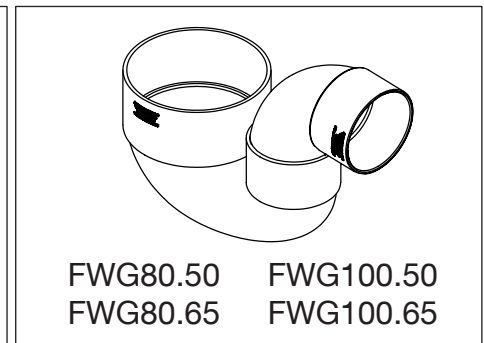
M&F BEND 5°



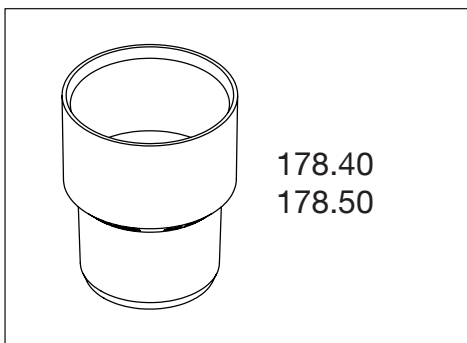
FEMALE ADAPTOR SPIGOT END



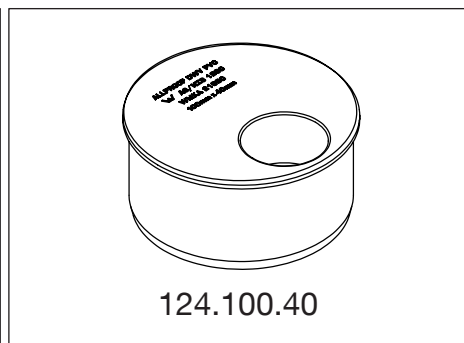
FLOOR WASTE GULLY



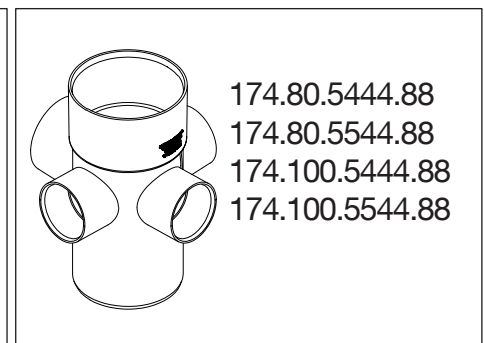
SLAB ADAPTOR



REDUCER 100MM X 40MM



FOUR-WAY RISER



Proudly manufactured at our facilities in NZ.
Please see our full catalogue for further options on tile and vinyl floor wastes.

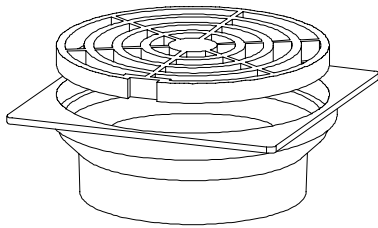
www.allproof.com

ALLPROOF

I N D U S T R I E S

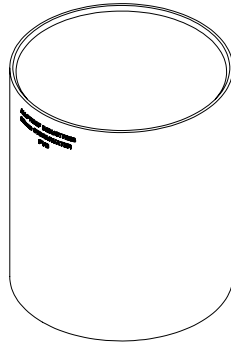
PLASTIC FITTINGS

STORM WATER GRATE



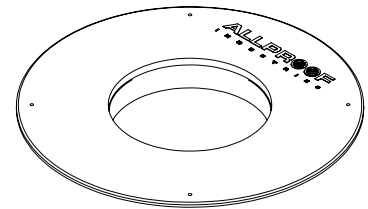
168.90
769.150.100

SLIP REPAIR COUPLING



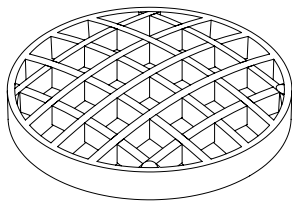
711S.90

SAFE WASTE



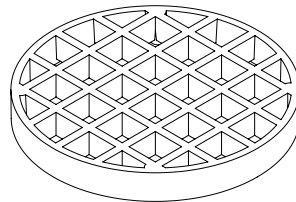
128.100 128.65
128.80

DOME GRATE



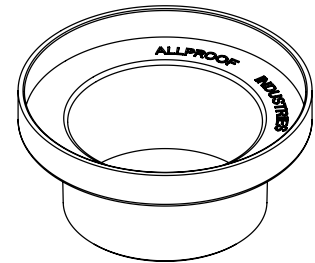
152.140

FLAT GRATE



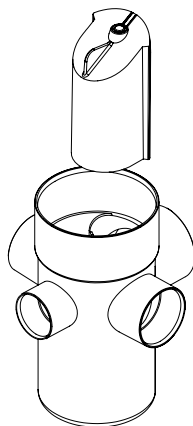
151.140

FINISHING COLLAR



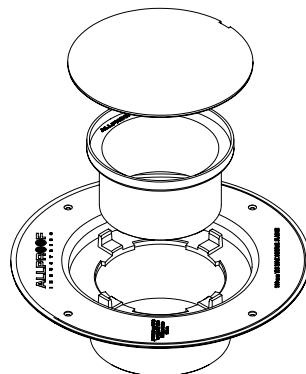
130.100

BOSSGULLY



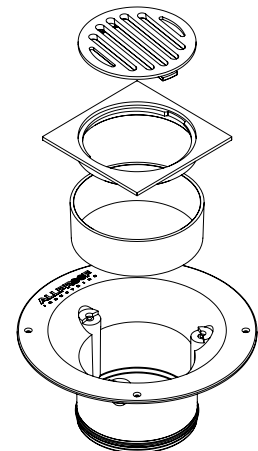
BOSSGULLY

TILT A GRATE



TG80
TG100

HDPE FLANGE



TFW100HDPE

Proudly manufactured at our facilities in NZ.
Please see our full catalogue for further options on tile and vinyl floor wastes.

www.allproof.com